

Metal frames
and technical
doors for hotels.



HYGENIX
**Hotel
Door**

help@hygenix.ie

Index

- 04 Introduction
- 06 Knock-Down system
- 07 Advantages
- 08 Metal Frame profiles
- 10 RAL lacquered frames
- 12 Technical doors
- 13 Door Finishes
- 14 Room access doors
- 24 Bathroom access doors
- 28 Common area doors
- 32 Hardware and accessories

We open horizons

Patented system for technical doors and metal frames >>

Your doors deserve Hygenix.



HEAVY-DUTY METAL TECHNICAL FRAMES

- **Galvanized steel**

Telescopic or fixed frames adjustable to any wall and lacquered in different RAL colours

- **Stainless steel**

Strength and durability for all metal frame solutions

HPL TECHNICAL DOORS FOR HOTELS

- **Durability, innovation and strength**
- **HPL doors PVC edge**
- **HPL doors phenolic edge**
- **Melamine doors**

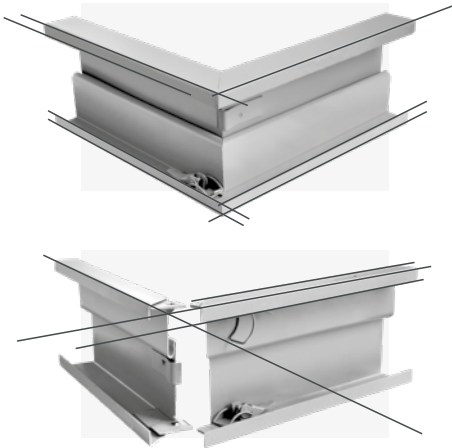
CERTIFICATES

- **Fireproof doors**
- **Soundproof doors**

ADAPTED HARDWARE

- **Technical solutions for every door type**
 - Handles
 - Door closers
 - Lower acoustic guillotine
 - Threshold
 - RF Sight glass





The patented assembly system that elevates Hygenix Door.

Fit your doors to perfection with our patented Knock-Down® assembly system. It adapts to any type of wall.

Knock-Down® System



Versatility

Easy installation in new building works and renovation works.



Easy maintenance

Easy cleaning and maintenance due to the application of hygienic and resistant materials.



Easy installation

Adjustable Knock-Down® system that facilitates installation after partitioning.



Highly durable

Great durability through the use of top-quality materials.

Advantages



Acoustic soundproofing (Optional)

Noise standards

- 30 dB / 32 dB / 42 dB



Fireproof (Optional)

Ei standard

- Ei 30 / Ei 45 / Ei 60 / UL10C



Easy cleaning and hygienic materials

Finished with easy-to-clean materials.



Shock resistant

Manufactured to withstand shock and scratches in high traffic areas.



Durability

Long-lasting materials and finishes



Resistant to humid environments

Manufactured for highly humid areas.

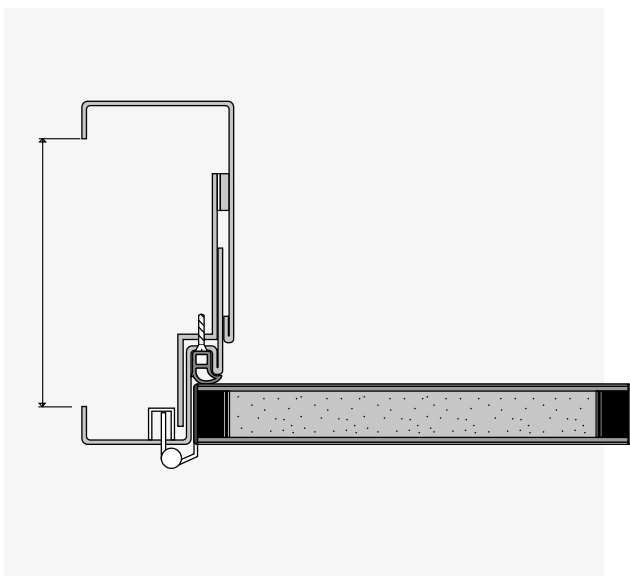
Quality Certifications

Metal frame profiles

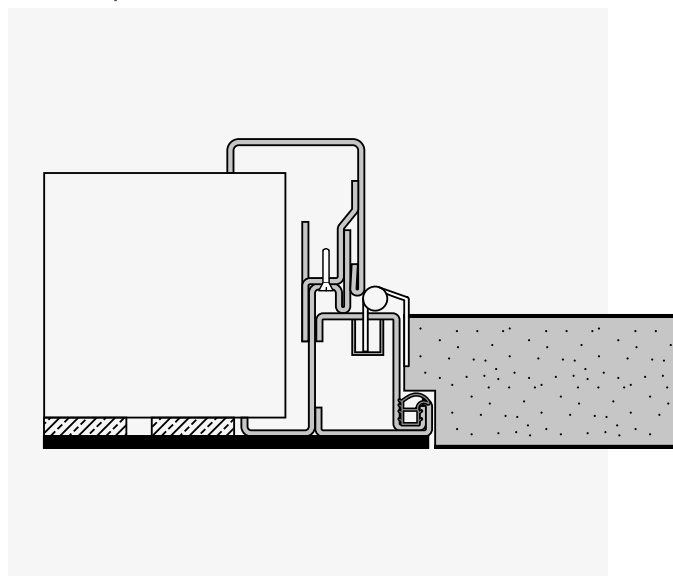
Telescopic frames adjustable to different partition widths.

Adjustable from 8 to 40 cm

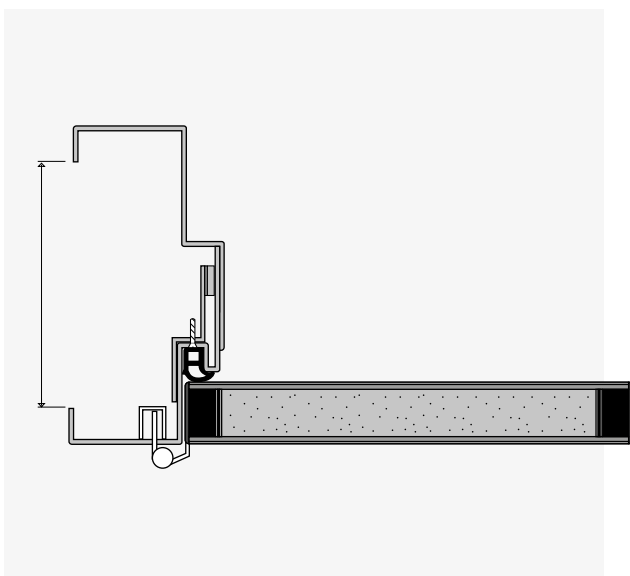
G-type profile



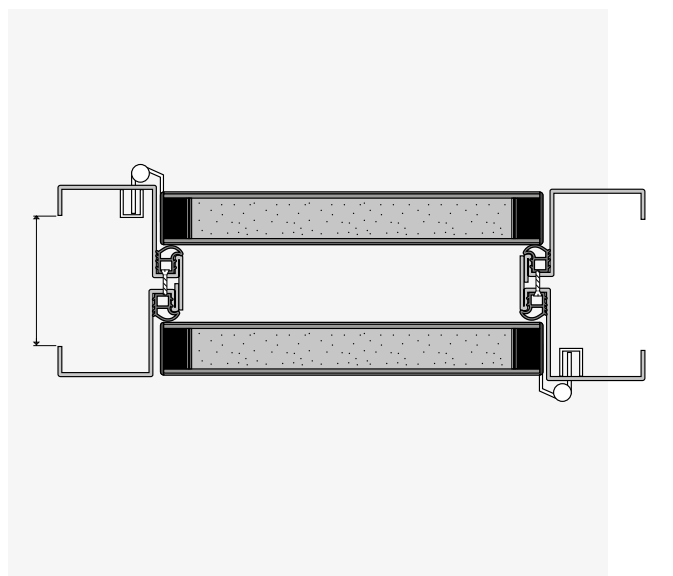
Flush profile



Type G7 profile



Connecting doors



NOTE: Request information on other fixed and telescopic profiles in the technical catalogue.



Highly versatile



Highly durable



Easy installation new building
and renovation works



Easy maintenance

Specifications

• Materials

- 1.5 mm galvanized steel.
- AISI 304 or AISI 316 1.2 mm stainless steel

• Finishes

- RAL lacquer
- Satin stainless steel

• Uses

- High-traffic areas.

• Hinges

- Heavy-duty stainless-steel hinges. Grade 11/14 according to UNE EN 1935:2002 standard or concealed hinge

• Hardware

- All types

• Advantages



• Certificates



RAL laquered frames








LAQUERED FRAMES

- Matte and micro-textured RAL stove-lacquered metal frames.
- Hanging on a closed-loop chain.
- High-quality powder paint.



LACQUERING PROCESS

1 First stage	Types of applications
<ul style="list-style-type: none"> • Pre-treatment stage with nanotechnology 	<ul style="list-style-type: none"> • Application of thermosetting powder paint
2 Second stage	Advantages
<ul style="list-style-type: none"> • Drying stage 	 Easy cleaning and hygienic materials
3 Third stage	 Shock and scratch resistant
<ul style="list-style-type: none"> • Paint with 8 automatic spray guns 	 Wide variety of finishes in different RAL colours
4 Fourth stage	 Top-quality paint
<ul style="list-style-type: none"> • Polymerisation stage 	Certificate
5 Fifth stage	
<ul style="list-style-type: none"> • Packaging 	International Quality Label for Coated Steel

Laquered frames

A wide range of possibilities. RAL colour chart.

				RAL®			
RAL 1000		RAL 3014		RAL 5024		RAL 7039	
RAL 1002		RAL 3015		RAL 6001		RAL 7040	
RAL 1003		RAL 3016		RAL 6002		RAL 7043	
RAL 1004		RAL 3017		RAL 6003		RAL 7044	
RAL 1005		RAL 3022		RAL 6004		RAL 7045	
RAL 1006		RAL 3027		RAL 6010		RAL 7046	
RAL 1007		RAL 4001		RAL 6011		RAL 7047	
RAL 1011		RAL 4002		RAL 6012		RAL 8000	
RAL 1013		RAL 4003		RAL 6013		RAL 8001	
RAL 1014		RAL 4005		RAL 6014		RAL 8002	
RAL 1015		RAL 4006		RAL 6015		RAL 8007	
RAL 1016		RAL 4007		RAL 6016		RAL 8008	
RAL 1018		RAL 4008		RAL 6019		RAL 8011	
RAL 1019		RAL 4009		RAL 6021		RAL 8012	
RAL 1020		RAL 5000		RAL 6022		RAL 8014	
RAL 1023		RAL 5008		RAL 6024		RAL 8015	
RAL 1033		RAL 5009		RAL 6025		RAL 8016	
RAL 1034		RAL 5010		RAL 6026		RAL 8017	
RAL 2000		RAL 5011		RAL 6027		RAL 8023	
RAL 2008		RAL 5012		RAL 6028		RAL 8024	
RAL 2009		RAL 5013		RAL 6029		RAL 8025	
RAL 2012		RAL 5014		RAL 7000		RAL 8028	
RAL 3000		RAL 5017		RAL 7008		RAL 9001	
RAL 3001		RAL 5019		RAL 7010		RAL 9002	
RAL 3007		RAL 5020		RAL 7011		RAL 9003	
RAL 3011		RAL 5021		RAL 7012		RAL 9006	
RAL 3012		RAL 5022		RAL 7023		RAL 9010	

Request information on the full RAL colour chart for more options.

Technical doors

Door finishes

- HPL High-pressure laminate
- Melamine

A multitude of finishes. Request information on full range.

SPECIFICATIONS

• Uses

- High-traffic areas.

• Advantages

- Easy to clean.
- Shock resistant
- Durability.



• Certificates



NOTE: Request information on measurements.

Certifications and thickness according to standards

DIMENSIONS EN 951 > EN 1529 CLASE 1	GENERAL AND LOCAL FLATNESS EN 951 > EN 1530 CLASE 3	HARD BODY SHOCK EN 950 > EN 1192 CLASE 1
SOFT AND HEAVY BODY SHOCK RP 08.01 > Altura de 100 mm	IMMERSION IN WATER UNE 56850	

Door finishes



For more options, consult our finishes chart.

Wide range of solutions

Technical doors specifically adapted
to room access doors for hotels.



Room Access Doors (RAD)





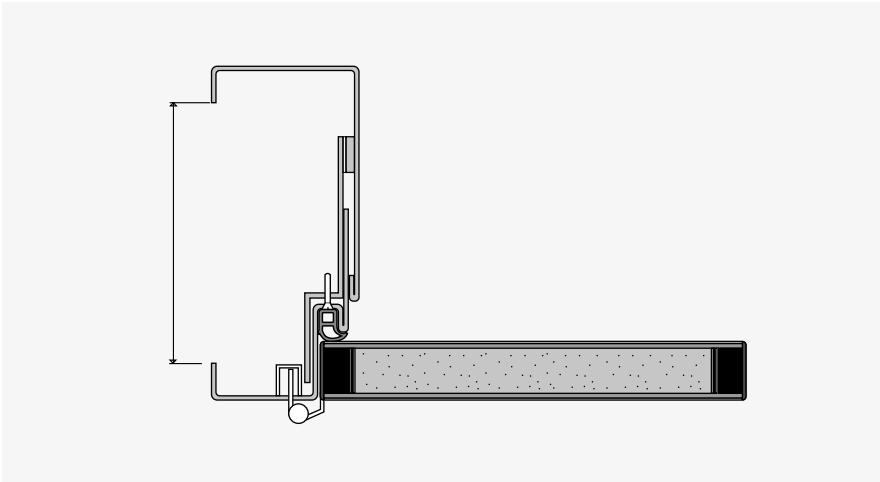


HYGENIX ROOM ACCESS DOOR

Fireproof special room access door 30 min.



G-type profile



Leaf












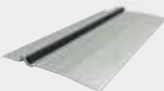
- HPL with PVC edge
- HPL with phenolic compact edge
- Melamine
- Plain colours and wood finishes
- Agglomerate interior
- PVC or Phenolic edging



Certificates

According to European and American standards.

• FIREPROOF CERTIFICATES	
<ul style="list-style-type: none"> • European 	<ul style="list-style-type: none"> • American
<p>Ei30 Ei60</p>	<p>UL10C intertek Total Quality Assured.</p>
• SOUND ISOLATION CERTIFICATES	
<ul style="list-style-type: none"> • Noise standard 	
<p>30dB 32dB 42dB</p>	

	RAD BASIC Hygenix Fireproof room entrance door 30 min.	RAD Hygenix ACOUSTIC Fireproof room entrance door with sound isolation.	RAD HIGH ACOUSTIC Fireproof room entrance door with sound isolation.
 Fireproof	Ei 30 / Ei 60 UL10C	Ei 30 / Ei 60 UL10C	Ei 30 / Ei 60
 Noiseproof	-	32 dB	42 dB
 Hinges	<ul style="list-style-type: none"> • Hygenix hinges • Concealed Hinges 	<ul style="list-style-type: none"> • Hygenix hinges • Concealed Hinges 	<ul style="list-style-type: none"> • Hygenix hinges • Concealed Hinges
 Door closers	<ul style="list-style-type: none"> • Surface and concealed 	<ul style="list-style-type: none"> • Surface and concealed 	<ul style="list-style-type: none"> • Surface and concealed 
 High durability	✓	✓	✓
 Shock resistant	✓	✓	✓
 RF Sight glass	Optional	Optional	Optional
 Acoustic guillotine	Optional	✓	✓
 Threshold	Optional	Optional	Optional

PANEL DOOR ROOM

Flush to wall door room

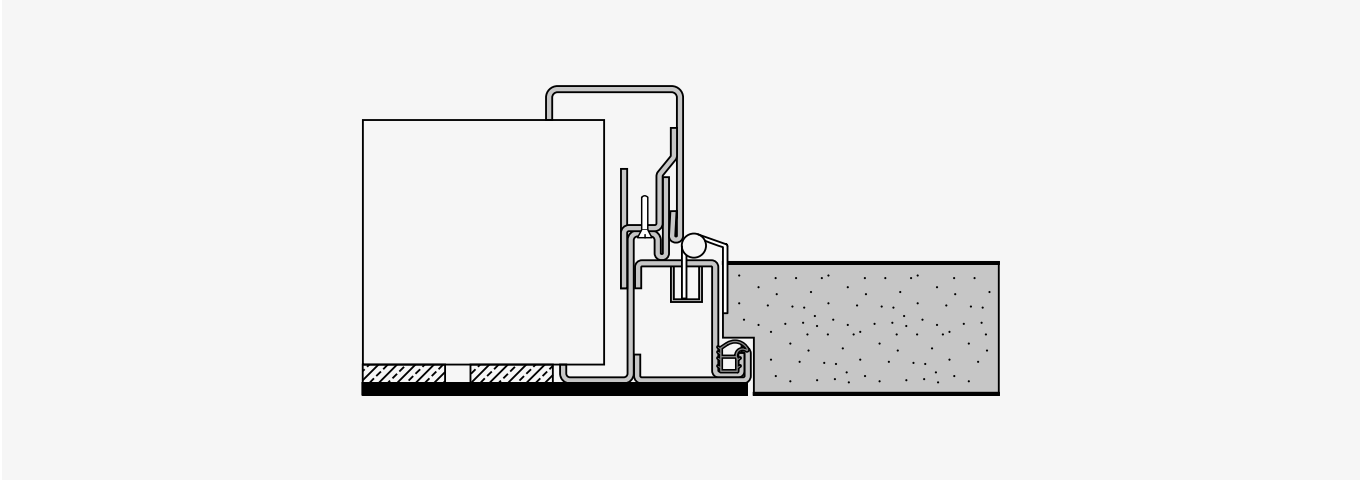


Easy installation
new building and
renovation works



Highly
durable

Flush profile



Leaf

- HPL leaf
- Melamine leaf
- Woods edging, lacquered and phenolic compact edge



Certificates

According to European standards.

• FIREPROOF CERTIFICATES

- European



Ei30

• SOUND ISOLATION CERTIFICATES

- Noise standard



32dB

42dB



CONNECTING DOOR ROOM

Connecting doors

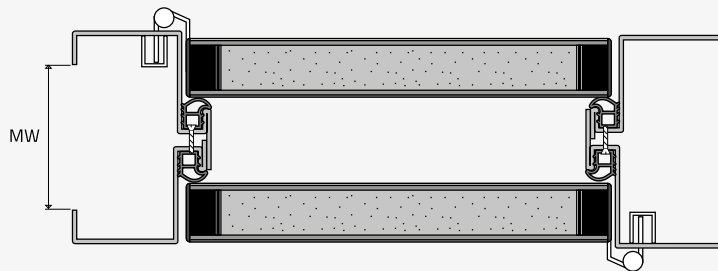


Easy installation
new building and
renovation works



Highly
durable

G profile Connecting






Leaf

- HPL PVC edge
- HPL phenolic compact edge
- Melamine
- Plain colours and wood finishes
- Agglomerate interior
- PVC and Phenolic edging



Certificates

According to European and American standards.

• FIREPROOF CERTIFICATES			
• European		• American	
Ei30	Ei60	UL10C	intertek <small>Total Quality. Assured.</small>
• SOUND ISOLATION CERTIFICATES			
• Noise standard			
30dB	32dB	42dB	



Anti-humidity accessibility

Solutions for bathroom access
in hotel rooms with special resistance
to wear and humidity.



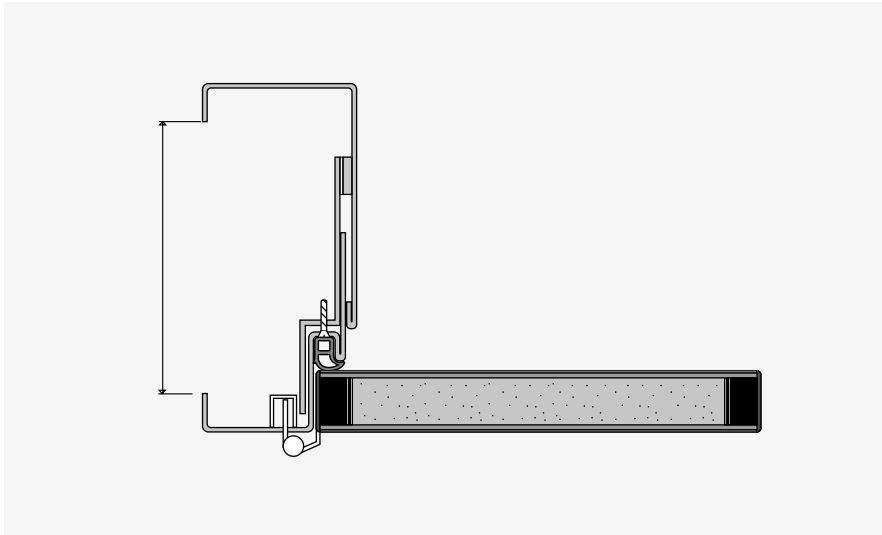


Bathroom access doors

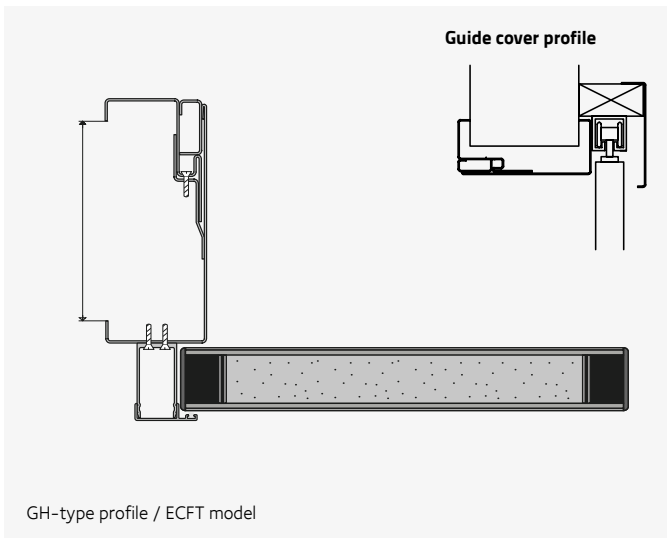
BATHROOM DOORS

Entrance door to bathrooms in hotel rooms

G-type profile

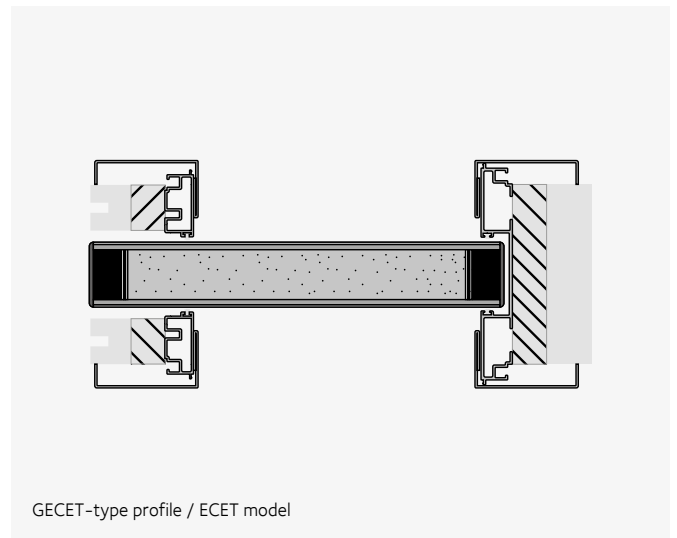


Off-the-wall sliding door



GH-type profile / ECFT model

Inside wall sliding door



GECET-type profile / ECET model

Frame

- Galvanized steel
- Stainless steel



Leaf

- HPL
- Glass



Hardware

- For wood
- For glass





Durability and resistance

Solutions for common areas
with high traffic.





BAKU

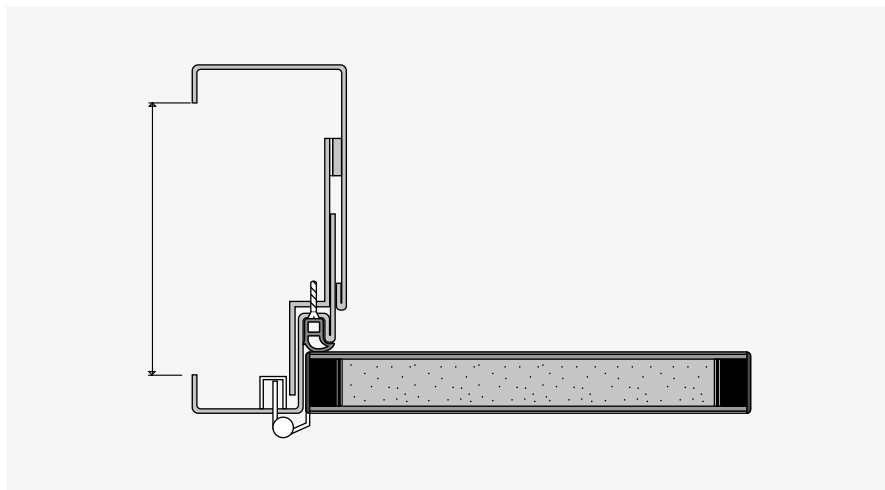
Common
area doors

SECTORIZATION

Fireproof doors



G-type profile



Certificates

According to European standards.

• FIREPROOF CERTIFICATES

• European



Ei30

Ei60

RECORDS

Enclosures and cabinets



Certificates

According to European standards.

• FIREPROOF CERTIFICATES

• European



Ei30

Ei60

SWING

Special double-action door

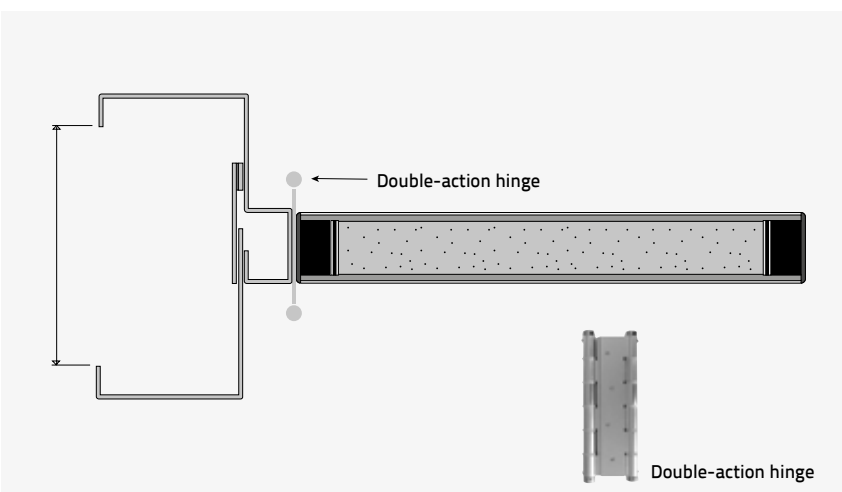


Easy installation
new building and
renovation works



Highly
durable

G-type profile



Maximum durability, easy maintenance

Adapted technical hardware and accessories for any solution required in hotel environments.



A close-up photograph of a wooden door. The door is made of light-colored wood with a visible grain. On the left side, a metal hinge is attached to the door. A black rectangular box is superimposed over the center of the door, containing the text "Hardware and accessories".

Hardware and accessories

Hinges

Standard hinges

Hygenix hinges

- Standard hinges for 100 x 86 x 3 Hygenix adjustable housing
- Standard hinges always supplied with the Hygenix frame
- UNE EN 1935:2002 standard Certified for 80 kg of weight



Spring-loaded hinge

Hygenix hinge

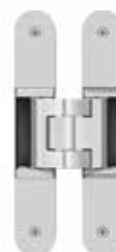
- Hinges with spring for self-closing door system 100x 86 x 3



Hidden hinge

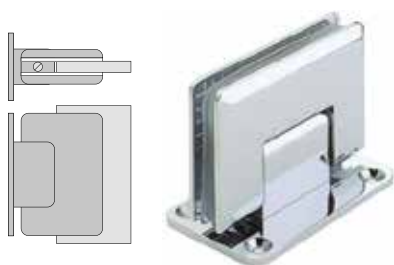
Suface 340 Simonswerk

- Permissible load 80 kg
- Total length 160 mm
- Concealed hinges for high-traffic areas compliant with European standards



Glass door hinge

- Traditional system.

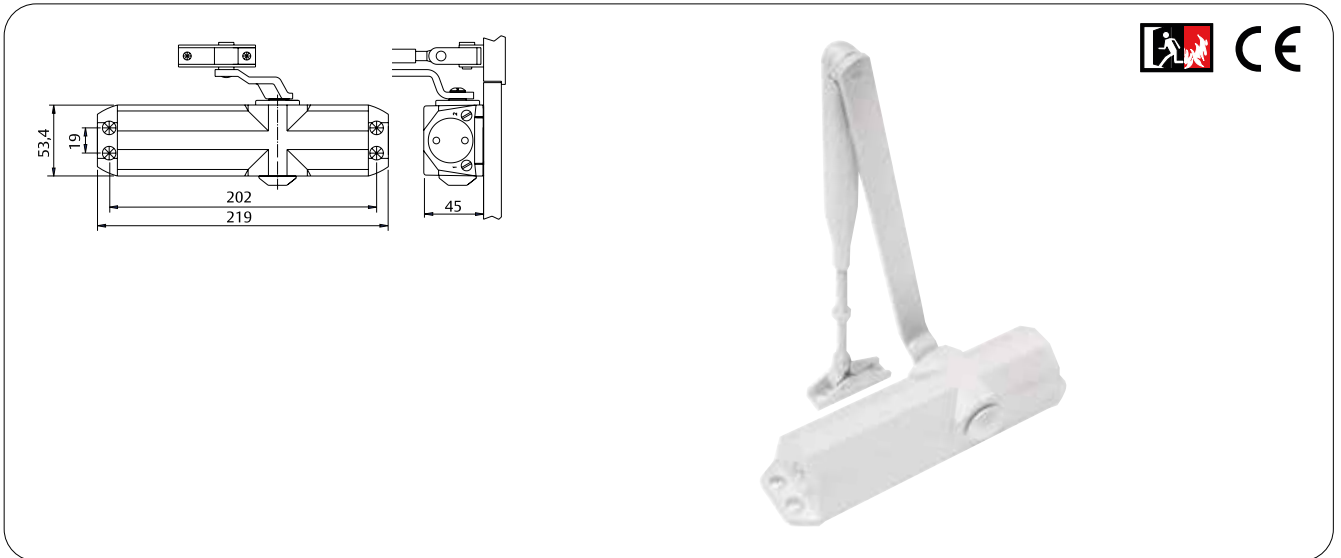


- Adjustable system.

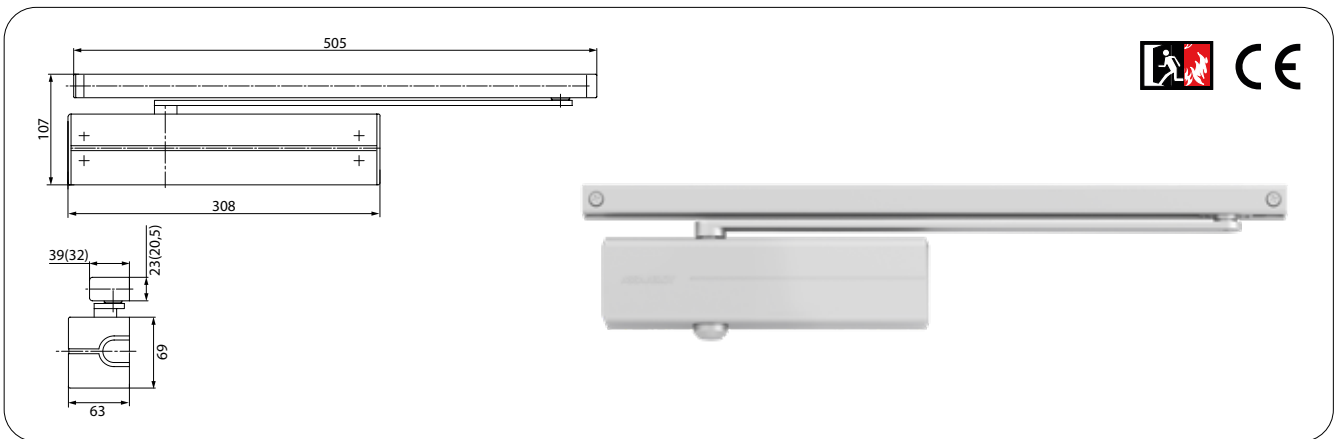


Door closers

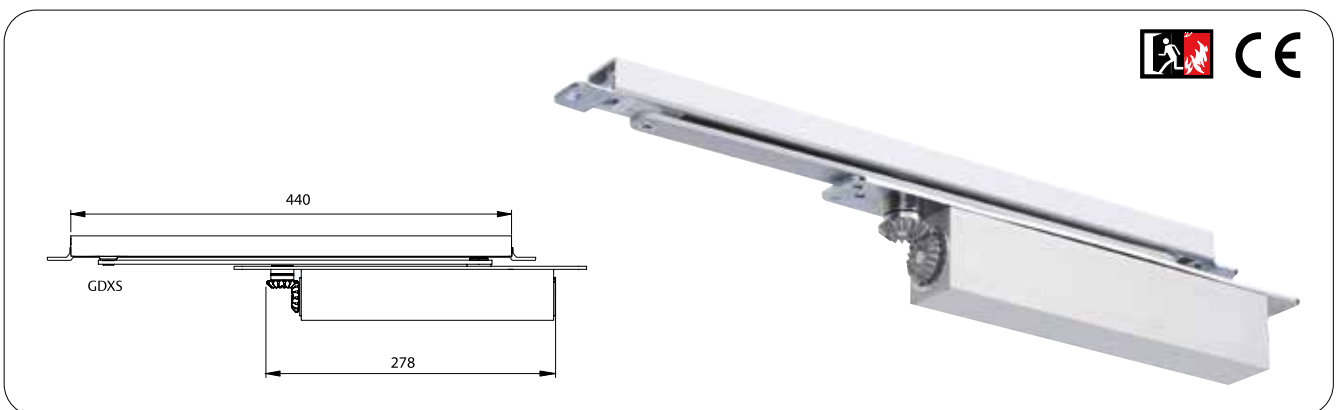
Standard doors closers



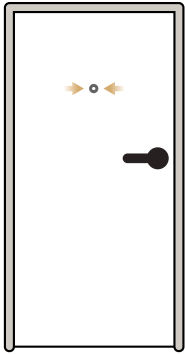
Door closer with sliding guide



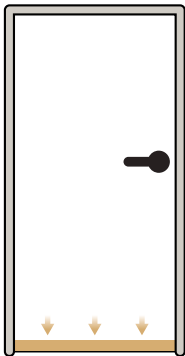
Concealed



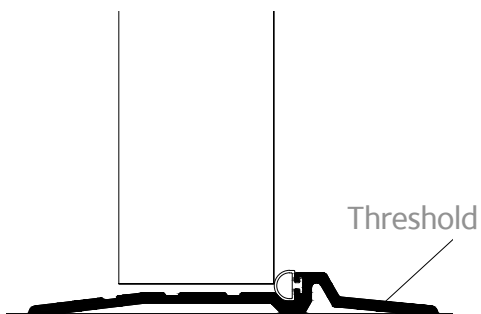
RF Sight glass



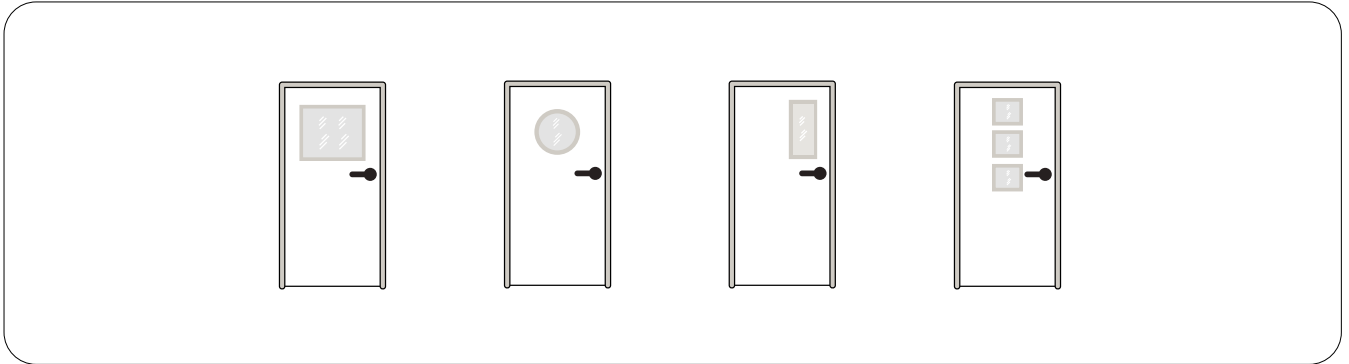
Lower acoustic guillotine



Threshold



Glass



SPECIFICATIONS

• **Materials**

- Aluminium
- AISI 304 or AISI 316 1.2 mm stainless steel

• **Uses**

- Special lighting





more info
Hygenixframes.com



Projects
collection



Assembly
instructions



HYGENIX | Doors

Unit 1 | Beech Road
Kilbride | Arklow | Co Wicklow
T. +353 404 58694
help@hygenix.ie
www.hygenix.ie